



OWNER'S MANUAL AND INSTALLATION GUIDE

REWATEC™

Septic tanks



Installation guide and Owner's manual – Septic tanks

This guide provides information regarding the installation, operation, maintenance and warranty of the **septic tanks** from Premier Tech. For additional information, contact our customer service at **1-800-632-6356**.

1. Technical data

MATERIAL

Medium-density polyethylene (MDPE) plastic

CERTIFICATIONS

CSA (Canadian Standards Association) CSA-B66-10:

PST-280, PST-340, PST-390, PST-420, PST-500 and PST-660 models

BNQ (Bureau de Normalisation du Québec) NQ 3680-905:

PST-280, PST-340, PST-390, PST-440, PST-500 and PST-660 models



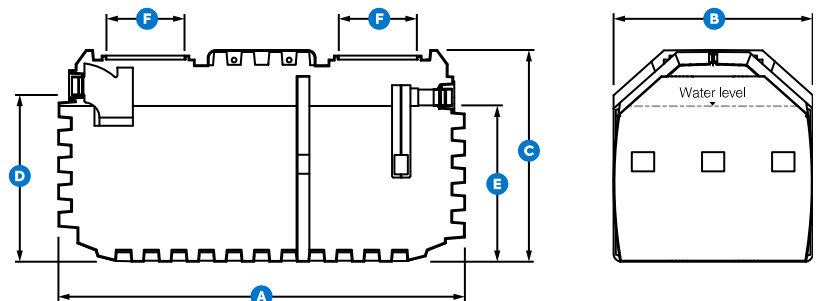
CHARACTERISTICS

Models	PST-280	PST-340	PST-390	PST-420	PST-440	PST-500	PST-660
Total nominal capacity	740 US gal 620 UK gal 2 800 L	900 US gal 750 UK gal 3 400 L	1,030 US gal 860 UK gal 3 900 L	1,140 US gal 950 UK gal 4 300 L	1,160 gal. US 965 gal. imp. 4 400 L	1,270 US gal 1,060 UK gal 4 800 L	1,760 US gal 1,460 UK gal 6 650 L
Liquid capacity	600 US gal 500 UK gal 2 260 L	800 US gal 660 UK gal 3 000 L	880 US gal 730 UK gal 3 300 L	950 US gal 790 UK gal. 3 600 L	975 US gal. 810 UK gal. 3 700 L	1,080 US gal 900 UK gal 4 100 L	1,530 US gal 1,280 UK gal 5 800 L
Total length (A)	98" 2,495 mm	119 ½" 3,035 mm	130 ½" 3,320 mm	148 ¾" 3,777 mm	148 ¾" 3,777 mm	115" 2,920 mm	156" 3 965 mm
Total width (B)	49 ¼" 1,250 mm	49 ¼" 1,250 mm	49 ¼" 1,250 mm	49 ¼" 1,250 mm	49 ¼" 1,250 mm	52 3/8" 1,330 mm	52 3/8" 1,330 mm
Total height (C)	52 3/8" 1,330 mm	52 3/8" 1,330 mm	52 3/8" 1,330 mm	52 3/8" 1,330 mm	52 3/8" 1,330 mm	67 ¾" 1,720 mm	67 ¾" 1,720 mm
Inlet height (D)*	41 ½" 1,055 mm	41 ½" 1,055 mm	41 ½" 1,055 mm	41 ½" 1,055 mm	41 ½" 1,055 mm	55 ⅞" 1,400 mm	55 ⅞" 1,400 mm
Outlet height (E)*	38 ½" 980 mm	38 ½" 980 mm	38 ½" 980 mm	38 ½" 980 mm	38 ½" 980 mm	52" 1,320 mm	52 " 1,320 mm
Diameter of openings (F)	18 ½" 470 mm	18 ½" 470 mm	18 ½" 470 mm	18 ½" 470 mm	18 ½" 470 mm	18 ½" 470 mm	18 ½" 470 mm
Approximate weight**	364 lb 165 kg	408 lb 185 kg	435 lb 198 kg	529 lb 240 kg	463 lb 210 kg	584 lb 265 kg	717 lb 325 kg

* Pipe invert.

** Weights indicated are approximate and not binding (for handling and lifting purposes only).

Note: The characteristics can be modified at any time.



2. Sizing and location

For residential systems, determine the size of the septic tank required according to the number of bedrooms in the home. To find which tank is required, refer to the regulations or standards that apply in your region, state, province or country (the same applies for the installation).

To improve the performance of any septic installation and extend the life of the treatment system, we recommend using a larger septic tank than that prescribed. This also allows for the eventual addition of extra bedrooms without having to replace the existing septic tank.

Location standards

Please refer to your local regulations for minimum distances.

3. Operation guidelines

The following recommendations are intended to ensure the optimum treatment efficiency and operation of your septic installation as well as maintain it in proper working order.

It is not recommended to discharge any of the following substances into the septic tank:

- Oil and grease (engine oil, cooking oil, etc.);
- Wax and resins;
- Paints and solvents;
- Any kind of petroleum product;
- Any kind of pesticide;
- Any kind of septic tank additive;
- Any kind of toxic substance;
- Anything not easily biodegradable (e.g. coffee beans, cigarette butts, sanitary napkins, tampons, condoms, cotton swab, etc.).



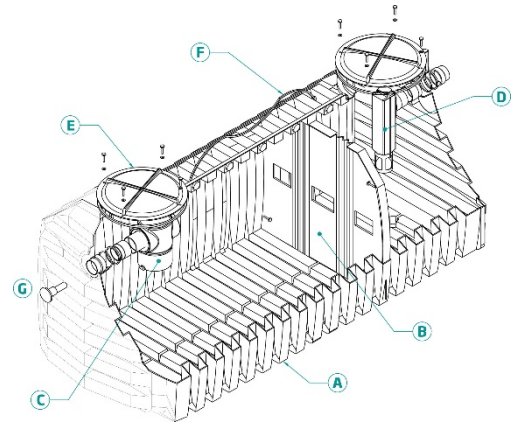
It is important that all parties involved (installer, landscaper, owner, snow removal service, etc.) comply with the following guidelines:

- Never install a septic tank in a place where the groundwater table can reach its base (otherwise, drain pipes could be required).
- Never install a septic tank in clayey soil.
- The profile of the lot must be such that surface run off flows away from the septic system.
- The septic tank must be watertight and be used for disposal of domestic wastewater only.
- Never connect a drain pipe, roof gutter, sump pump or air conditioning drain to your septic system.
- Never cover or bury the access lids of the septic tank. It needs to be accessible for maintenance and emptying.
- Respect the minimum distances prescribed by regulations.
- Backfill thickness over the septic tank must not exceed 90 cm (36").
- Never enter the septic tank.
- Install the septic tank where there is no motorized traffic.
- Never drive vehicles or place objects weighing over 200 kg (450 lbs) within 3 m (10') of the lids.
- Never overload the soil (ex: blown snow, embankment/slope) within 3 m (10') of the lids. The overload could damage the system.
- Never discharge water from a water softener backwash in your septic system.
- Never discharge water from a spa or pool backwash into any of the components of your septic system.
- Never discharge water from a recreational vehicle (camping trailer, caravan, etc.) into any of the components of your septic system.
- Never use an automatic bowl cleaner.
- The home must be equipped with an air vent that is in proper working order and complies with the applicable standards.
- Ensure rapid growth of vegetation to prevent soil erosion.

4. Components of the septic tank

At delivery, make sure all the following components are included:

- A. 1 polyethylene tank;
- B. 1 baffle;
- C. 1 T-type inlet device;
- D. 1 Effluent Filter PL-122;
- E. 1 lid for each access fastened with lag screws;
- F. 1 rope fixed on top of the tank for handling purposes;
- G. 1 Installation Guide and 1 Owner's Manual.

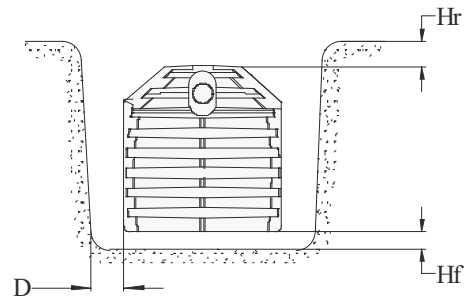


5. Installation procedure

Step 1 – Excavation

Specific requirements

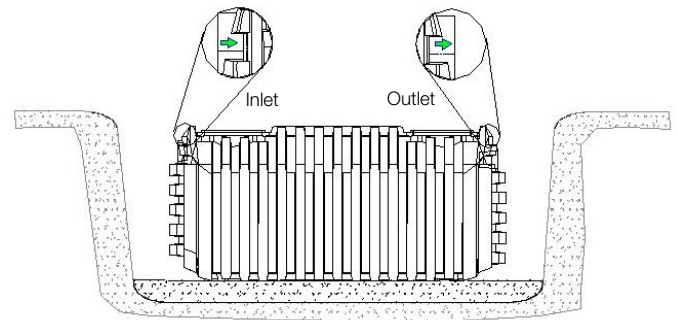
- Maximum thickness of backfill covering the septic tank:
 - $H_r \leq 90$ cm (36").
- Excavation clearance to the tank:
 - $D \geq 30$ cm (12") on all sides.
- Minimum thickness of bedding (H_f):
 - 15 cm (6") in loose soil or
 - 30 cm (12") in bedrock.



Note regarding the bedding: use 0-20 mm (0-¾") Ø gravel or sand well compacted and levelled.

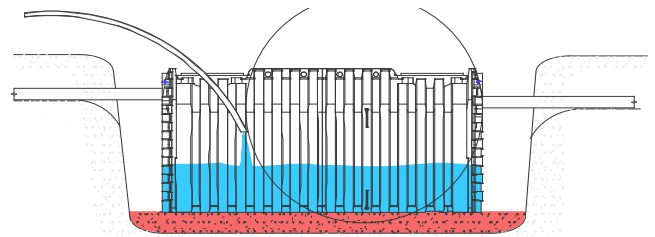
Step 2 – Bedding preparation and tank placing

- Thoroughly level and compact the bedding.
- Place the septic tank.
- Handle the tank using the rope on top.
- Check the direction of the flow: the inlet should be higher than the outlet. Arrows near the inlet and outlet indicate the direction of flow.



Step 3 – Connecting the septic tank

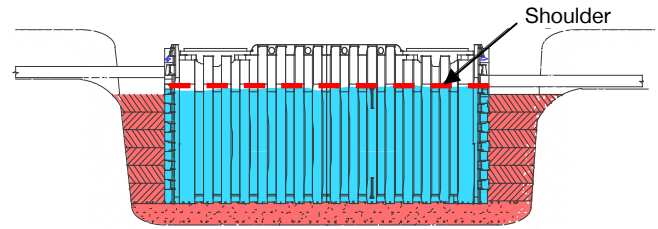
- Fill the septic tank with water.
- While filling the tank, connect the plumbing to the inlet and outlet.
- All septic tanks must be ventilated by an air duct at least 100 mm (4") in diameter or be connected to the air duct of the residence.



Step 4 – Initial backfill

- Backfill until you reach the tank shoulder (water level inside the septic tank).
- It is important that the backfill material be deposited, not dumped. Using a bulldozer for this step is not recommended.
- Backfill material should be free of organic matter and impermeable soil, rock, debris or particles larger than 20 mm (¾") or any object that could damage the septic tank.

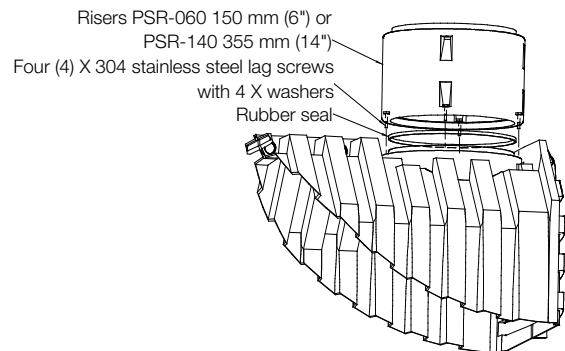
Note: It is essential to backfill evenly each side of the septic tank.



Step 5 – Riser installation

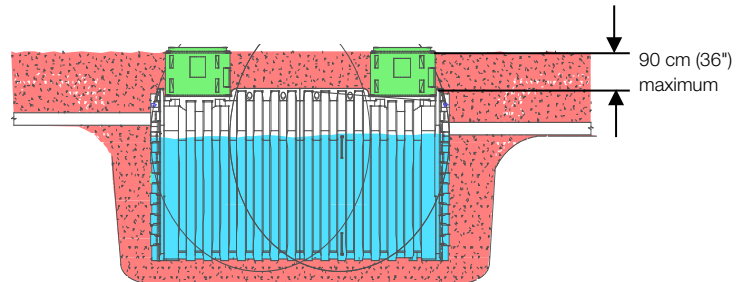
When risers are required, proceed as follows:

- Clean the rim of the septic tank access (where the 4 holes are located for the lag screws).
- Place the rubber seal on the access rim.
- Put the riser in place, aligning the holes in the base of the riser with the holes of the access rim.
- Tighten the riser in place by using the 4 lag screws and washers provided for this purpose.



Step 6 – Final backfill of the septic tank

- When the septic tank is full of water, backfill up to the desired height.
- The thickness of the backfill over the septic tank **must not** exceed 90 cm (36").
- If necessary, use PSR-060 or PSR-140 risers.
- Secure the lids on the septic tank or the risers with the supplied lag screws.



6. Maintenance

6.1 Maintenance of the septic tank

The septic tank should be inspected and emptied regularly. For example, in Québec, the septic tanks must be emptied every two (2) years for principal residences and every four (4) years for secondary residences. However, a by-law governing the septic tank emptying might have been adopted by a municipality or county, therefore, it is important to consult your local regulations for prescribed inspection and emptying frequency. It is also possible that the septic tank has to be emptied according to the scum or sludge level in the system. Once the septic tank is emptied and the effluent filter has been cleaned (if required), fill the septic tank with water.

Note: If your home is equipped with a garbage disposal or a sewage pump, we strongly recommend emptying your septic tank more frequently. The use of this kind of equipment increases the amount of sludge in the septic tank.

6.2 Maintenance of the effluent filter

Over time, the effluent filter will accumulate solids and could become saturated, which is why the filter must be cleaned periodically. We recommend an inspection of the filter once a year. Cleaning of the effluent filter should be done each time the septic tank is emptied. However, the maintenance frequency will depend on the wastewater flow generated as well as the type of establishment, therefore, cleaning the effluent filter before emptying the septic tank might be necessary.

Main steps to follow to clean up the effluent filter:

STEP 1: Remove the two (2) septic tank access lids.

STEP 2: Lower the level or empty both chambers of the tank (if required).

STEP 3: Pull out the filter cartridge. Use protective gloves to manipulate the cartridge.

STEP 4: Hold the filter cartridge over the first chamber of the septic tank and clean it with a water jet.

STEP 5: Reinsert the cartridge into the filter, fill the septic tank with water (if required) and put the lids back on the septic tank. Screw each lag screws of the lids.

7. Troubleshooting

7.1 Flooding

Certain sites are prone to flooding or to rises in groundwater levels. This can lead to a malfunction in your system or alter the performance of your treatment system. If this happens, contact Premier Tech's After-Sales Service Department.

7.2 Backflow

Backflow rarely occurs in residential septic systems. If it does, the effluent filter may be saturated, in which case, it needs to be cleaned. The effluent filter retains solids in the septic tank in order to protect the treatment system from what is often irreversible clogging. Have the septic tank emptied before cleaning the effluent filter. If the backflow is caused by the septic tank or associated piping, have them checked to make sure they are not blocked. If, after verification, water does not flow properly, have your treatment system checked by a wastewater treatment expert.

7.3 Odours

All septic systems are apt to generate gases and odours. The position of the air vent, as well as other factors unrelated to your treatment system, can prevent septic gases from dispersing properly and lead to odours. If this happens, contact Premier Tech's After-Sales Service Department.

7.4 Winter closing of residences

If you close your residence (i.e. close the circuit-breaker) during a potential freezing period, you must contact Premier Tech's After-Sales Service Department to help establish the appropriate procedure. In doing so, you will ensure a longer life for your septic tank.

**If you have any question or comments, do not hesitate to contact
Premier Tech at 1 800 632-6356.**



PT Water and Environment

+1 800 632-6356

pta@premiertech.com

PT-WaterEnvironment.com



The information contained in this document was up-to-date and consistent with the information available at the time of publication. Premier Tech Ltd. makes no warranties or representations as to its accuracy. Because of its continuous improvement policy, Premier Tech Ltd. and its affiliated companies reserve the right to change and/or discontinue the manufacture of any product and/or modify technical data and prices, for any reason whatsoever and at its sole discretion, without further notice and without liability to anyone in this regard. PREMIER TECH® and PREMIER TECH & DESIGN™ are trademarks of Premier Tech Ltd. or its affiliates.

© 2020 Premier Tech Ltd. All rights reserved.

Certificate of Warranty for the Premier Tech High Performance Septic tanks

1. PREAMBLE

Premier Tech Technologies Ltd. (hereinafter called "Premier Tech") is proud to provide its customers with the present warranty on the high performance Septic Tanks PST-280, PST-340, PST-390, PST-420, PST-440, PST-500 or PST-660 (hereinafter called "Septic Tank").

For the purposes of this warranty, "Customer" shall mean the person who has acquired a Septic Tank (hereinafter called "Initial Purchaser") as well as any subsequent purchaser (hereinafter called "Subsequent Purchaser(s)"), according to the dispositions of section 8 of this present warranty. "Successor(s)" shall mean any other person entitled to exercise Customer's rights under the law.

2. NATURE OF THE WARRANTY

The following warranty is conditional to and only applies if the Septic Tank has been installed according to the installation, maintenance and operation instructions as described in the Installation Guide/Owner's Manual.

2.1. Polyethylene reservoir

Premier Tech warrants the Septic Tank's polyethylene reservoir (parts and labour) against any manufacturing defect for a period of five (5) years from the date of purchase by the Initial Purchaser (proof of purchase required).

2.2. Other components

Premier Tech also warrants all other components of the **Septic Tank** (parts and labour) against any manufacturing defect for a period of two (2) years from the date of purchase by the Initial Purchaser (proof of purchase required).

This conventional warranty is given by Premier Tech to its customers in addition to the legal warranties and is expressly limited to the text of this certificate.

3. NOTICE

For this warranty to be valid, the Customer must notify Premier Tech in writing immediately upon the appearance of any indication of an anomaly or irregularity in the design or the operations of the septic Tank.

Such notice must be given by mail to Premier Tech's head office at 1, avenue Premier, Rivière-du-Loup, Québec, G5R 6C1, CANADA or by facsimile at (418) 862-6642.

Upon receipt of this notice, Premier Tech will examine the situation and, if necessary, take appropriate corrective measures in accordance with the terms of the present warranty.

4. GENERAL EXCLUSIONS

The following charges, damages or problems are excluded from the warranty:

- (a) Any septic Tank emptying charges incurred to execute the present warranty. These charges will be assumed by the Customer at the rate in force at the time of the execution of the present warranty;
- (b) Any transportation and shipping charges incurred to execute the present warranty. These charges will be assumed by the Customer at the rate in force at the time of the execution of the present warranty;
- (c) Any damage or problem caused by a fortuitous event or "force majeure", such as, without limiting the generality of the foregoing, earthquake, flood, freeze, hurricane, landslide, explosion or dynamiting;
- (d) Any damage or problem caused by the fault or act of a third party;
- (e) Any damage or problem arising from a defective installation of the Septic Tank and/or of the products located upstream or downstream from the septic tank;
- (f) Any damage or problem arising from any installation, modification, correction or addition to the treatment system carried out after installation of the Septic Tank without Premier Tech's prior written approval;
- (g) Any damage or problem if it is demonstrated that the installation, maintenance and use of the Septic Tank have not been done in accordance with the instructions and guidelines described in the Installation Guide/Owner's Manual;
- (h) Any damage or problem caused by the fault or action of the Customer or Customer's Successors;
- (i) Any damage or problem, if it is found that the Customer or its Successors have modified or changed the use of the property served by the Septic Tank resulting in the alteration of the nature or quality of wastewater being treated and/or that constitutes a violation of the applicable regulations;
- (j) Any damage or problem caused and/or resulting of the works performed in order to access to the Septic Tank, including, without limiting the generality of the foregoing, excavation, snow-removal or demolition.

5. PARTICULAR EXCLUSIONS

It is further expressly understood that the Customer may not carry out or cause to be carried out any repair or verification of the Septic Tanks sold, or attempt to carry out any work or to apply any corrective measures whatsoever to said work, before notifying Premier Tech in accordance with the provisions of section 3 of this warranty and before Premier Tech has visited the site, within a reasonable time following receipt of said notice, in order to acknowledge the situation.

If the installation is not performed by an installer trained by Premier Tech or if the Customer carries out or causes to be carried out repairs, or attempts to repair or to apply corrective measures of any kind whatsoever to the Septic Tanks sold, without prior authorization by Premier Tech, this warranty shall be considered null and void and Premier Tech shall be considered completely discharged from any and all of its obligations under this warranty.

6. INDEMNITIES AND DAMAGES

Subject to the application of the provisions and exclusions provided for in this Warranty, Premier Tech's liability and obligations regarding any corrective measure carried out or any attempt to correct an indicated problem shall be limited to supplying a new Septic Tank or one or several parts/components of the Septic Tank and to supplying the required labour, if applicable.

7. LIMITATION OF LIABILITY

Premier Tech's compensation or indemnification obligation shall be limited to the provisions of section 6 of this certificate of warranty and Premier Tech shall not be held liable for any other damage or loss that may have been suffered or incurred by the Customer or any third party in connection with the Septic Tank, its parts and/or components which originate thereof.

No additional warranty, express or implied, hence excluding any direct or indirect consequential damages (not limited to but including third parties loss) concerning the design, sale or use of the Septic Tank and/or services provided by Premier Tech is hereby granted. Premier Tech's liability under its warranty obligation shall in no case exceed the cost of the Septic Tank.

8. TRANSFER OF OWNERSHIP

In the event of transfer of ownership, sale, assignment or disposition in any other way of the Customer's property to a third party, this warranty shall continue to apply. The person proceeding to the transfer of the property, sale, assignment or any other type of disposition, undertakes to hand over to the Subsequent Purchaser or its Successor, the warranty certificate received upon completion of the work, as well as the Installation Guide/Owner's Manual.

9. INSPECTION

The Customer and/or the Customer's Successors shall allow Premier Tech or its duly authorized representative to carry out all necessary monitoring and inspection as required for implementation of this warranty.

10. INTERPRETATION

The terms of this warranty shall be interpreted and governed by the law in force in the Province of Quebec and the provisions of this warranty.

11. PRIORITY OF THE CERTIFICATE OF WARRANTY

This warranty supersedes any contract or understanding, written or verbal, entered into between the Customer and Premier Tech. In case of contradiction between this warranty and any other documents and/or contracts entered into between the Customer and Premier Tech, this warranty shall prevail.

12. SUBSEQUENT PURCHASERS AND SUCCESSORS

Subject to the provisions of this warranty and of section 8 in particular, this warranty shall continue to apply to the Subsequent Purchasers and Customer's Successors and shall continue to have full effect until the end of the agreed warranty period provided for in section 2 of this certificate.