

# ADAPTER TAD-240, RISERS PSR-060/140, ACCESS LID LID-240 AND FILTER CONTAINER TLF-240

## Installation Guide and Owner's Manual

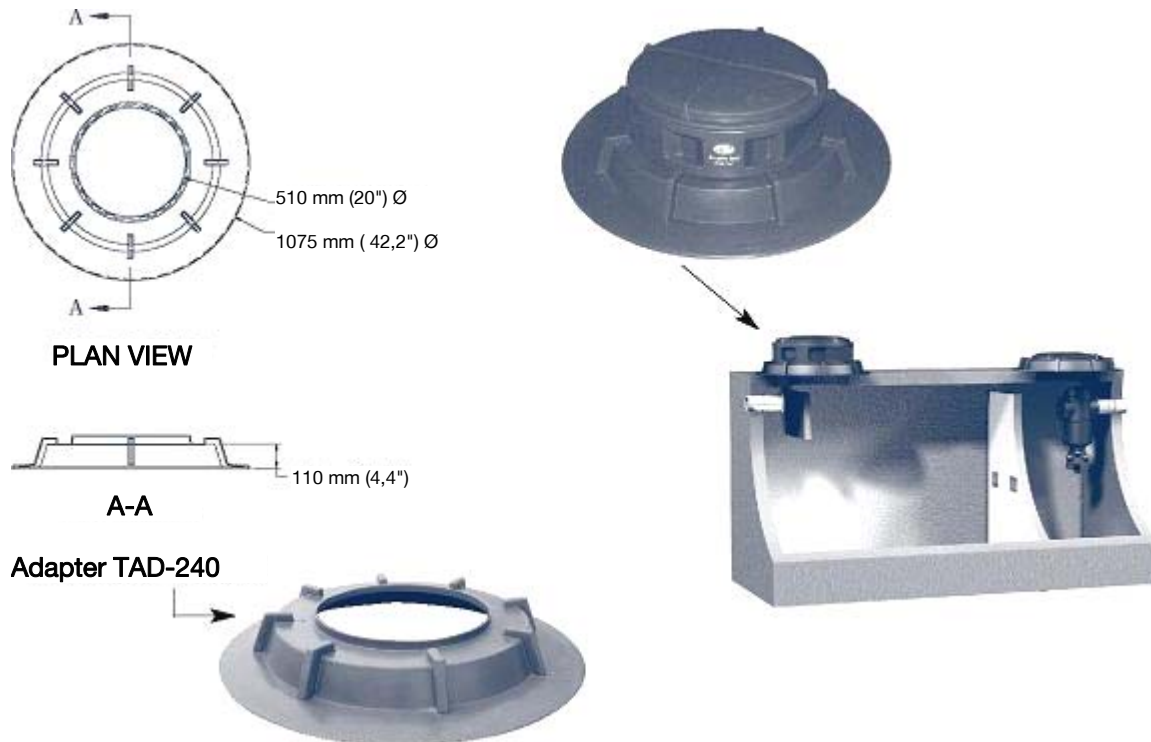
*This guide provides information on Premier Tech Aqua septic tank adapter, access risers, access lid and filter container. For additional information, call our customer service at 1 800 632-6356.*

### Technical data

A septic tank adapter is available to facilitate access for tank inspection and pumping. Polyethylene risers can be installed on the adapter to ensure secure access by the four-screw **LID-240** access lid. An adapter eliminates the need for heavy concrete lids and the added frustration of handles that are often corroded. Dark green in colour, the **LID-240** access lid also blends nicely with the landscape.

The **Adapter TAD-240** has been designed to be added to already installed tanks. The **TAD-240**'s unique design fits all residential septic tanks currently on the market. It has a 509 mm (20") opening and is compatible with the **Risers PSR-060** and **PSR-140**, depending on installation requirements.

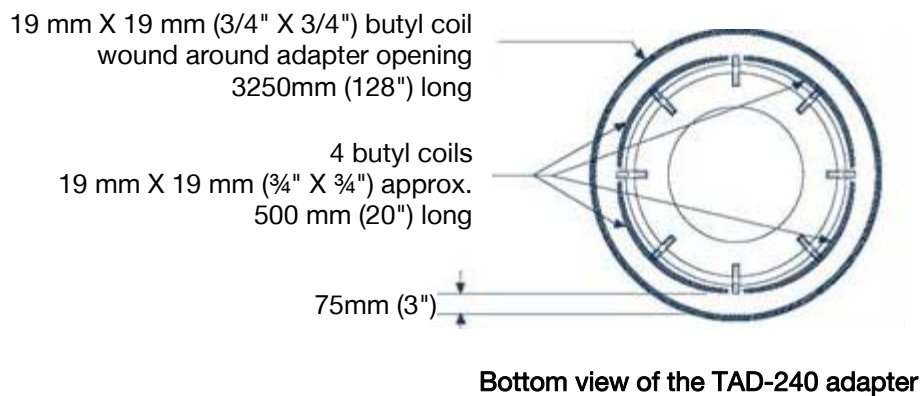
### 1. TAD-240 access adapter for concrete septic tank already in operation



To install the **TAD-240 adapter**, dig a hole approximately 1250 mm (50") wide around the access wells to just above the septic tank. Remove the old riser(s).

Clean the surface of the cement thoroughly where the adapter is to be installed. Make sure the surface of the adapter is clean and dry and then wind 19 mm X 19 mm (3/4" X 3/4" ) butyl coils (or equivalent) around the bottom of the adapter as shown in the diagram below. Butyl coils are necessary to hold the adapter in place and ensure watertightness.

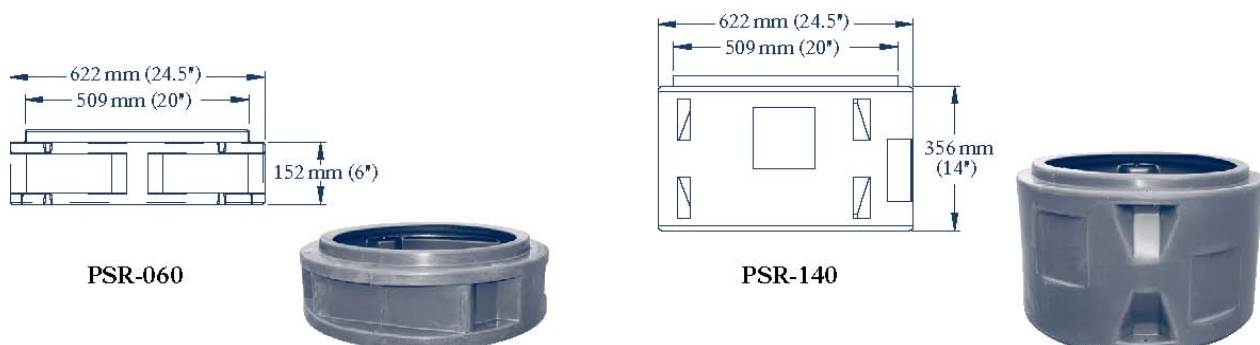
Cut any extra coil off using a knife. Remove the access lid from the septic tank (if there is one) and the backing paper from the butyl coil, and then place the adapter on the septic tank. Make sure the adapter and septic tank openings are aligned. Stand on the rim to press the adapter firmly in place. Install the **PSR-060** or **PSR-140 riser**, where needed, on top of the adapter as instructed hereunder.



## 2. Risers PSR-060 and PSR-140

Risers are available in two heights: the **PSR-060**, 152 mm (6") and the **PSR-140**, 356 mm (14"). The **PSR-140** has four flat surfaces for easy connection of pipes up to 100 mm (4") in diameter. Material included with the risers: 4 screws and a 13 mm X 13 mm (1/2" X 1/2") butyl coil 1670 mm (66") long.

The **risers PSR-060** and **PSR-140** are extremely easy to install. Simply wind the 13 mm X 13 mm (1/2" X 1/2") butyl coil (with backing paper on top) included with the risers around the opening of the filter container or septic tank adapter, having first made sure that the surfaces are clean and dry. Cut any extra coil off using a knife. Remove the backing paper and install the riser on the filter container or adapter. Screw it in place using the four screws provided to ensure watertightness.



### 3. TLF-240 filter container



When it is not possible to install the effluent filter directly in the septic tank, such as in the case where the septic tank is already in operation, it is possible to use the **TLF-240 Filter Container**. This reservoir contains an effluent Filter **EFT-080** from **PTA (TLF-240F)** or **PL-122** from **Polylok (TLF-240P)**, already assembled. Thus, the effluent filter can quickly be installed outside the septic tank.

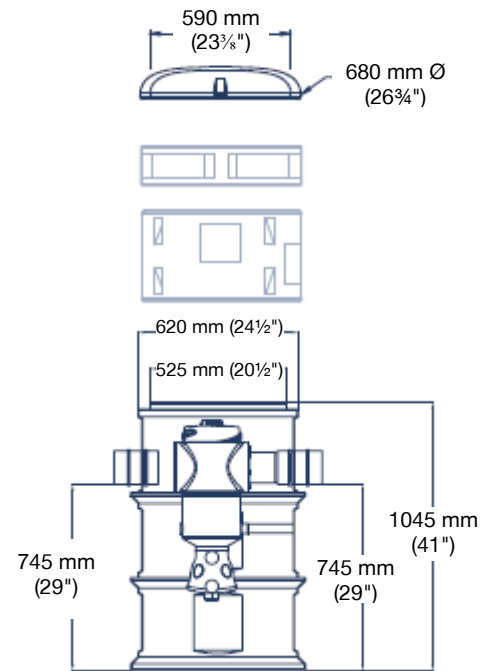
The **TLF-240 Filter Container** provides safe and easy access for the effluent filter's inspection and maintenance. Made of polyethylene, this reservoir can receive the **PTA's Risers PSR-060** or **PSR-140**. The **maximal height of risers allowed is 355 mm (14")** on top of the **TLF-240 Filter Container**.

#### Installation steps to follow:

- Excavate an area big enough to contain the reservoir. The bottom of the reservoir must be above the groundwater table at all times.
- Compact and level the bottom of the area and put the **TLF-240 Filter Container** in it. Handle the reservoir with care.
- Make sure to align the inlet of the reservoir with the pipe coming from the septic tank. Do not reverse the inlet and outlet connections because **the effluent filter must be on the side of the outlet pipe**.
- Backfill the **TLF-240 Filter Container** (with the lid on) up to the pipe level with soil exempt of clay, stones larger than 150 mm (6") in diameter, debris or organic matter. Do not compact the backfill.
- Connect the inlet and outlet pipes to the reservoir. The pipe that joins the reservoir to the septic tank must be levelled with the invert of the septic tank's outlet pipe. The pipe joining the outlet of the reservoir and the treatment system must have a descending slope of at least 1% toward the treatment system.
- Complete the backfill up to 50 mm (2") under the base of the lid. The lid must be accessible for inspection and maintenance of the effluent filter.
- Open the lid of the **TLF-240 Filter Container** to make sure that all its components are in place. Give the present document to the owner. Close the lid of the **TLF-240 Filter Container** with the 4 screws supplied.

During the annual inspection of the effluent filter, it is suggested to verify the level of the sludge at the bottom of the **TLF-240 Filter Container**. **PTA** recommends emptying the reservoir at the same time as the septic tank or as needed.

**Premier Tech Environment** will not be liable for any damages, problems or expenses arising from inappropriate use of the product. This warranty will be void if product failure is due to modifications, faulty installation, improper usage or alterations.



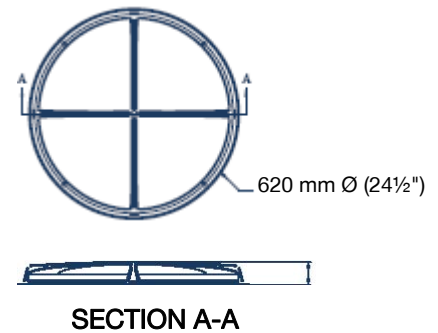
PROFILE VIEW  
TLF-240F

## 4. Acces lid, LID-240

---

The LID-240 lid fits securely the access of all the following product:

- Pumping Station PSA-240, PSA-240H and PSA-240L.
- Premier Tech Environment's polyethylene septic tank.
- PSR-060 and PSR-140 risers.
- TAD-240 septic tank adapter.



## Guidelines for installation and operation

---

- Never use the **Filter Container TLF-240** as a pumping station.
- Install the filter container at a maximum depth of 1370 mm (54"), e.g. the height of the filter container plus a 356 mm (14") **PSR-140 riser**.
- The bottom of the filter container must be located above the water table at all times .
- Never bury the lid. The filter container must be accessible at all times.
- Always secure the **TLF-240** lid after opening with the four screws provided for.
- Never throw foreign objects (stones, gravel, bricks, etc.) in the filter container, as they may damage the filter wall .
- If the **Filter Container TLF-240** is used to hold Premier Tech's **Effluent Filter EFT-080**, we recommend you check the amount of sludge in the bottom of the container during annual filter inspection and empty the container at the same time as the septic tank, or as needed.

## Warranty

---

**Premier Tech Aqua** warrants to the Customer each part of the accessories described in the present document, against any defects in material and workmanship for a period of one (1) year starting on the date of purchase (proof of purchase required) if these accessories have been installed and used according to the installation, maintenance and use instructions as described in the Installation Guide. The warranty only covers these accessories and does not extend to peripheral equipments.

### Exclusion

**Premier Tech Aqua** will not be liable for any damages, problems or expenses arising from inappropriate use of the product. This warranty will be void if product failure is due to modifications, faulty installation, improper usage or alterations.



☎ 1 800 632-6356  
☎ 418 862-6642  
pta@premiertech.com  
PREMIERTECHAQUA.COM

---

The information contained in this document is based upon the latest information available at the time of publication and is designed to provide you with a general introduction to our products. We make no warranties or representations as to its accuracy. We are continually updating and improving our products and reserve the right to amend, discontinue, alter or change specifications and prices without prior notice.

© Premier Tech Ltd, 2011