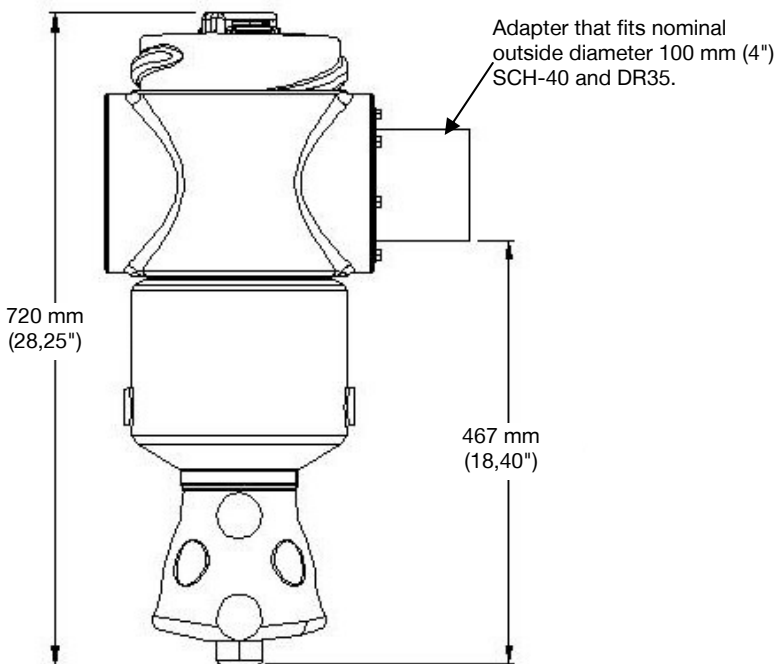
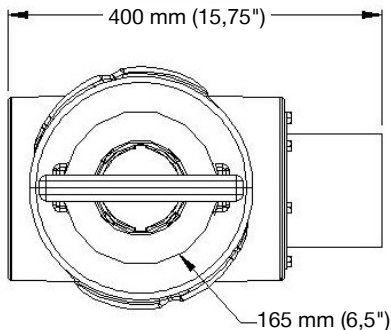


# EFFLUENT FILTER EFT-080

## Installation guide & Owner's manual

This guide provides the information required to install the **Effluent filter EFT-080** from **Premier Tech Aqua (PTA)**. If you would like more details, you can contact our Customer Service at **1 800 632 6356**.

## TECHNICAL DATA



### MATERIALS

Polyethylene and PVC

### OUTLET

PVC adapter that fits 100 mm (4") SCH-40 and DR35 pipes

### INLETS

Located at the base of the effluent filter (side feed)  
Total orifices area: about 270 cm<sup>2</sup> (42 sq. in.)

### FILTRATION SLOTS

1,6 mm (1/16 ")

### TOTAL FILTRATION AREA

1200 cm<sup>2</sup> (185 sq. in.)

### TOTAL LINEAR FILTRATION

75,5 m (248')

### MAXIMUM FLOW RATE

10 000 L/d (2640 US gpd, 2200 imp.gal/d)

### OPTION

EFT-080H filter handle

### WARNING:

Wear protective gloves at all times to avoid contamination.

# INSTALLATION PROCEDURE

---

1. Product description and operation
2. Requirements
3. Location and installation
4. EFT-080H Adjustable Filter Handle (optional)
5. Maintenance
6. Troubleshooting
7. Warranty

## 1. PRODUCT DESCRIPTION AND OPERATION

---

Premier Tech Aqua's Effluent filter EFT-080 is both a filter element and a safety device that is suitable for all types of septic installations. Its main purpose is to reduce the amount of settleable and floating solids in septic tank effluent and thereby extend the life of the treatment system downstream (**Ecoflo® Biofilter**, absorption bed, etc.). Take note that the installation of an effluent filter is mandatory when there is a low pressure distribution system (Regulation 16 of the *Q-2, r.8*) or an **Ecoflo® Biofilter** certified under the NQ 3680-910 standard. The effluent filter acts like a fuse by protecting the treatment system against resuspension of bottom sludge or discharge of floating solids during significant hydraulic peaks or organic loadings. It is therefore of critical importance to inspect and, more often than not, empty the septic tank when the effluent filter becomes saturated.

With a filter cartridge offering a flowing area over 1200 cm<sup>2</sup> (185 sq. in.) and 30° inclined plates, the **Effluent filter EFT-080** is the first effluent filter to combine the principles of lamellar settling and physical filtration. This patented procedure gives the **Effluent filter EFT-080** a larger solid retention capacity, which means longer operation periods between cleanings. The opening located on top of the filter allows free air flow. See section 5 for the maintenance procedure.

## 2. REQUIREMENTS

---

The **Effluent filter EFT-080** is recommended for all types of septic systems, especially those servicing homes equipped with appliances liable to increase the suspended solid content of wastewater (e.g. garbage disposal, sewage pump) and commercial installations (campgrounds, hotels, office buildings, etc.) that treat mainly toilet effluents.

## 3. LOCATION AND INSTALLATION

---

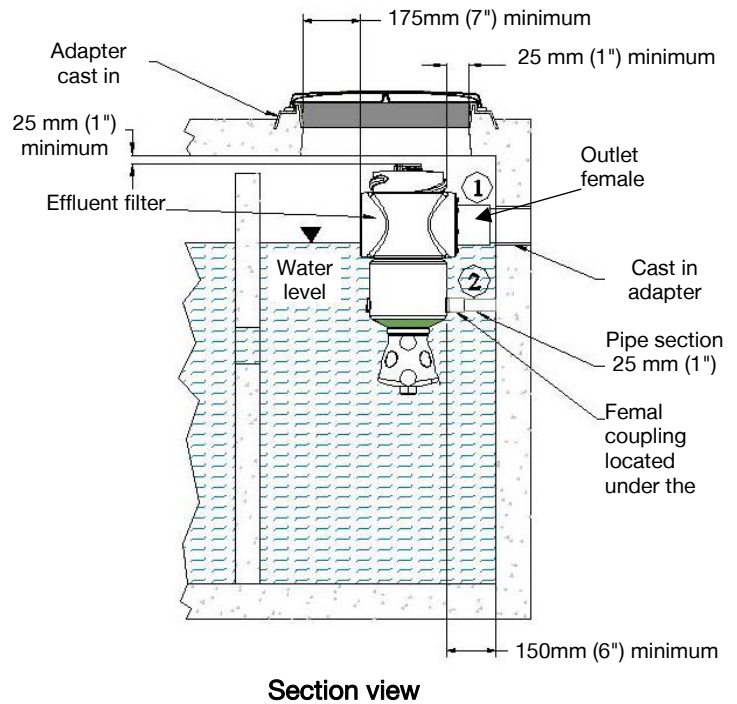
The **Effluent filter EFT-080** is generally installed inside the second chamber of the septic tank, but can also be installed in a separate container such as the **Filter container TLF-240F** from **PTA**, set outside, immediately downstream of the tank. The tank or filter container must have a minimum access opening of 460 mm (18"). For heavier flow applications, multiple filters can be installed in parallel (see section 3.3). If so, the access openings must be large enough to allow safe, easy inspection of all filters.

### 3.1 Installation inside the septic tank

The **Effluent filter EFT-080** is installed inside the septic tank in two steps:

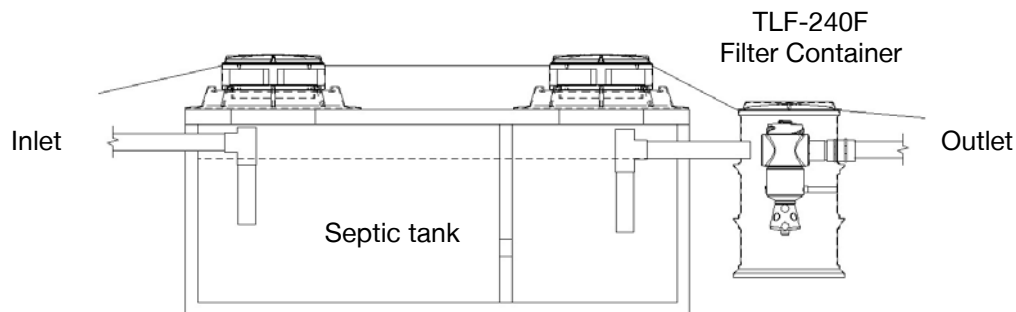
Step 1: Connect and glue the filter outlet (female coupling) to the outlet pipe of the septic tank using a standard PVC cement. Clean the pipe and filter outlet thoroughly and apply a coat of primer before gluing.

Step 2: Strengthen the installation by installing a support on the side of the effluent filter. The support is made of a 25 mm Ø (1") PVC pipe section (supplied with the EFT-080) to be inserted into the female coupling on the side of the effluent filter. The pipe must be cut in such a way that it leans against the septic tank wall, as shown in the diagram on the right.



### 3.2 Installation in a separate filter container

Premier Tech Aqua's **Filter container TLF-240F** is specially designed to hold the **Effluent filter EFT-080**. Connect the septic tank outlet to the container and the filter outlet (female coupling) to the pipe running between the container and the treatment system (**Ecoflo® Biofilter**, drain field). The same as for filters installed inside the septic tank, a piece of 25 mm Ø (1") PVC pipe must be inserted into the female coupling on the side of the effluent filter to strengthen the installation. The filter container should be installed as close as possible to the septic tank so that the heat from the tank helps prevent freezing. Moreover, for installations serving establishments that are not occupied for some periods of time during winter, precautionary measures should be taken (e.g. insulation board) to reduce the risk of freezing.

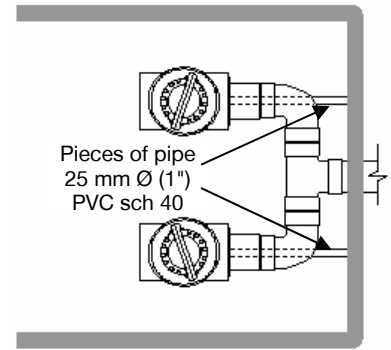


Note: The **Effluent filter EFT-080** from PTA will generally be installed in a separate reservoir if the septic tank is already existent.

### 3.3 Multiple installation

Where more than one **Effluent filter EFT-080** is required due to heavier wastewater flows, they may be installed inside the septic tank or in any other type of container provided it is watertight and allows easy access to the filters. Each effluent filter must be supported on the side by a section of 25 mm Ø (1") PVC pipe.

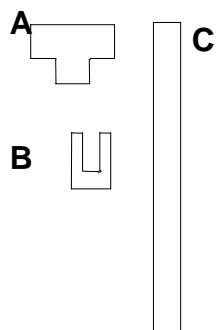
Depending on the number of effluent filters required, several configurations are possible. The picture on the right shows an installation with two filters. Please, feel free to contact our technical support service for more details regarding the installation of several filters **EFT- 080** in a septic tank.



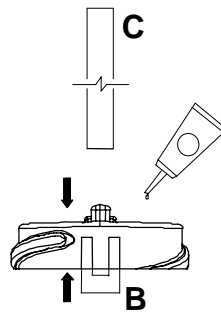
**Installation with 2 effluent filters**

## 4. EFT-080H ADJUSTABLE FILTER HANDLE (optional)

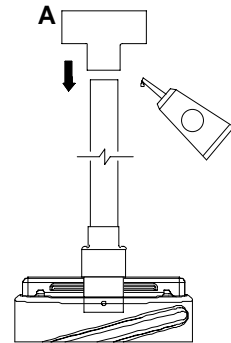
Premier Tech Aqua offers a 38 cm (15") long handle to facilitate removal and insertion of the filter cartridge.



- A: 25 mm (1") tee Ø
- B: 38 mm (1,5") Ø female plug
- C: 25 mm (1") pipe Ø



Insert the plug into the handle of the access lid and glue it to the pipe end.

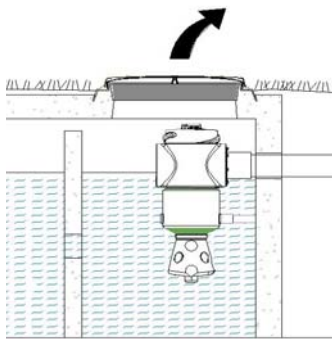


Cut the 25 mm (1") Ø pipe to the desired length and glue it to the tee.

## 5. MAINTENANCE OF THE EFFLUENT FILTER

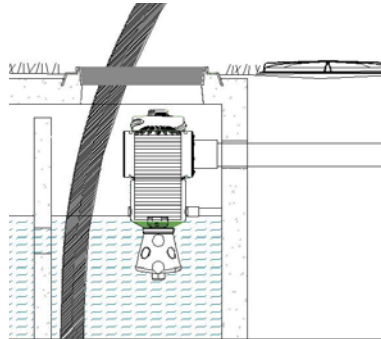
Over time, the **Effluent filter EFT-080** will accumulate solids released from the septic tank. This is normal, which is why the filter must be cleaned periodically. We recommend an inspection of the filter once a year. Cleaning of the effluent filter should be done each time the septic tank is emptied. However, the frequency of maintenance will depend on the wastewater flow generated and the type of establishment.

Main steps to follow to clean the Effluent filter EFT-080:



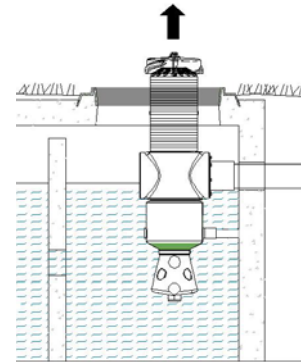
### STEP 1

Remove the two septic tank access lids (or the filter container lid).



### STEP 2

Empty both chambers of the tank (if required) (or the filter container).

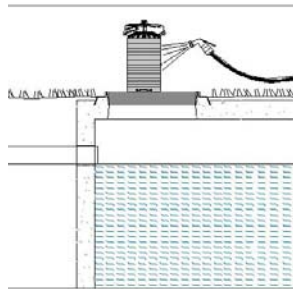


### STEP 3

Pull out the filter cartridge. Use protective gloves to manipulate the cartridge.

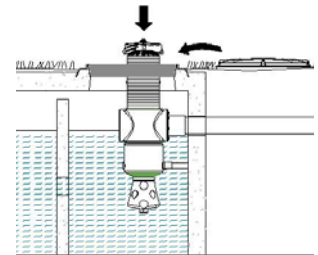
### STEP 4

Hold the filter cartridge over the first chamber of the septic tank and clean it.



### STEP 5

Reinsert the cartridge into the filter and put the lids back on the septic tank (or filter container).



## 6. TROUBLESHOOTING

### BACKFLOW

Backflow rarely occurs in residential septic systems. If it does, the effluent filter may be saturated, in which case all you have to do is clean it and everything will return to normal. The **Effluent filter EFT-080** removes solids from the septic tank effluent in order to protect the soil absorption system from what is often irreversible clogging. After cleaning the filter, have the septic tank emptied and the **Filter container TLF-240F**, where applicable. If the backflow is caused by the septic tank or associated piping, have them checked to make sure they are not blocked. If, after verification, water does not flow properly, have your filter element checked by a wastewater treatment expert.

## 7. WARRANTY

---

**Premier Tech Aqua** warrants to the Customer each part of the **Effluent filter EFT-080** against any defects in material and workmanship for a period of one (1) year starting on the date of purchase (proof of purchase required) if the effluent filter has been installed and used according to the installation, maintenance and use instructions as described in the Installation Guide/Owner's Manual. The warranty only covers the **Effluent filter EFT-080** and does not extend to peripheral equipments.

### Exclusion

**Premier Tech Aqua** will not be liable for any damages, problems or expenses arising from inappropriate use of the product. This warranty will be void if product failure is due to modifications, faulty installation, improper usage or alterations.



 **1 800 632-6356**  
 418 862-6642  
pta@premiertech.com  
PREMIERTECHAQUA.COM

---

The information contained in this document is based upon the latest information available at the time of publication and is designed to provide you with a general introduction to our products. We make no warranties or representations as to its accuracy. We are continually updating and improving our products and reserve the right to amend, discontinue, alter or change specifications and prices without prior notice. The PTA Effluent Filter is protected under patents: Canada 2 407 527, USA 6 942 796 and Europe 1 265 686.

© Premier Tech Ltd, 2010